

Downlight Specification

K2E75V1

— KING 2 series



【Basic Parameters】

- Material: ADC12, spraying surface
- Driver Installation: Remote
- IP grade: IP20/IP54
- CCT: 2700/3000/3500/4000K optional
- CRI: 90
- SDCM(Light source): <3 Step
- Beam angle: 40°
- UGR(X=4H,Y=8H): /
- Lighting direction: downward
- Dimming method: Non/0-10V/Traic/DALI optional
- Input voltage: AC220-240V
- Working temperature: -15°C-40°C
- Application: Indoor
- Installation: Recessed
- Certification: CE, UKCA, ROHS, Reach
- Warranty: 5 years



【Frame Color】



Black



White

【Reflector type】



Round

【Reflector Color】



Matte black



Matte white



Champagne Gold

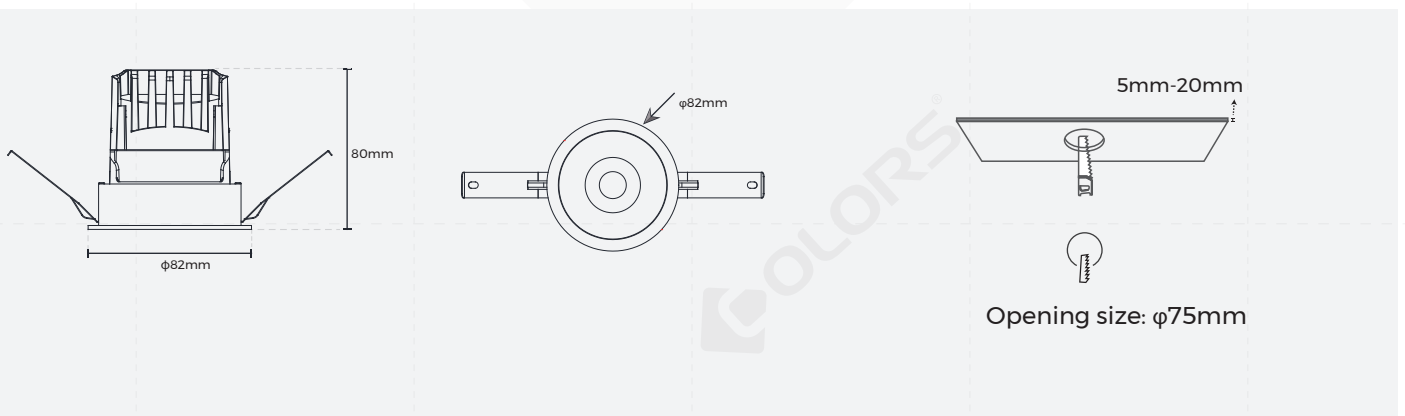


Mirror



Black chrome

【Product mechanical data】



[Luminaire Parameters]

Version	Model	Opening Size (mm)	Input Voltage (V)	Input Current (mA)	Type Power (W)	CRI	Beam Angle	CCT	Lumen (LM)
Normal	K2E75V1	φ75	DC36	250	10	>90	40°	3000K	680
				300	12			3000K	815
				350	15			3000K	975
				500	20			3000K	1260

Note:

1. The above parameters are tested based on the light source with Color Rendering Index Ra90 and 3000K.
Luminous efficiency & luminous flux at 2700K = 3000K value × 0.95
Luminous efficiency & luminous flux at 3500K = 3000K value × 1.03
Luminous efficiency & luminous flux at 4000K = 3000K value × 1.05
3. The input voltage and input current belong to the light source.
4. The brand of the light source is CREE.
5. The power supply brand used is either Egret.
7. luminous flux is allowed to have a ±10% error range;
8. The above parameters are typical values.

[Packing]

Model	Size (mm/box)	Quantity /box	Quantity /carton	NW (kg/box)	NW (kg/carton)	GW (kg)	Size (mm/carton)
DL-K2E75V1-XXX	168*144*100	1	48	0.46	22	28	592*519*422

[Attentions]

1. Non-professionals are prohibited from installing, disassembling and repairing the product.
2. Avoid scratching, distortion and irregular bending of the product during installation; otherwise it may cause irreparable damage to the product.
3. Please use professional cutting tools when cutting
4. Do not use any acid or alkaline adhesive to fix products
5. The product is only suitable for indoor dry places, can not be used in outdoor, seaside or wet environment.